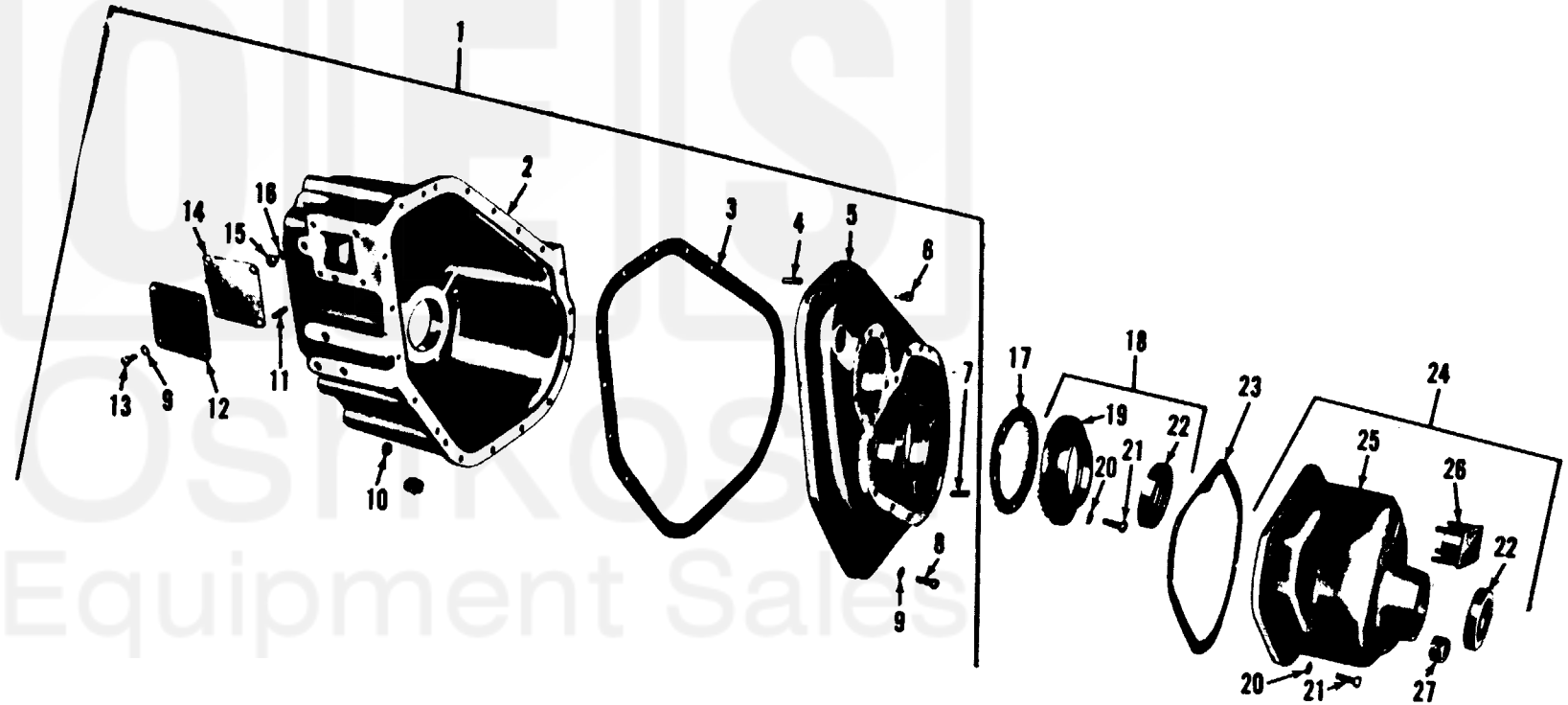


(1)	(2)	(3)	(4)	(5)	(6)	(7)	(8)	(9)	(10)					
SMR	Federal	DESCRIPTION	UNIT	Qty	30-day DS	maint	30-day GS	maint	1-yr Depot	Illustration				
Code	Stock		of	inc.	allowance	allowance	alw	maint						
Number			meas	in			per	alw						
			Unit				100	per	(a)	(b)				
							equip	100	Figure	Item				
							cnt-	equip	No.	No.				
							gcy							
		Reference Number & Mfr. Code		Usable	On	Code	(a)	(b)	(c)	(a)	(b)	(c)		
		0801-POWER TRANSFER AND FINAL DRIVE ASSEMBLIES-CONTINUED												
P-F	2520-292-0046	GASKET: TOP COVER 7375294 (78500)	A	EA	1	*	*	*	*	*	15	100	53	14
P-F	5305-734-6774	BOLT,MACHINE: SHIFTER SHAFT DETENT BALL SPRING 7346774 (19207)	A	EA	1	*	*	*	*	*	6	10	53	15
X2-F		WASHER: SHAFT DETENT BALL SPRING MS3533-27 (96906)	A	EA	1	*	*	*	*	*			53	16
P-F	2520-563-5523	GASKET: INPUT SHAFT FRONT BEARING COVER (COMPONENT OF GASKET SET, FSN 2520-734-6775) 7375292 (19207)	A	EA	1	*	*	*	*	*	15		53	17
P-F	2520-734-6758	COVER ASSEMBLY WITH OIL SEAL: FRONT BEARING 7346758 (19207)	A	EA	1	*	*	*	*	*	3	5	53	18
P-F	2520-035-5457	CAP, INPUT, SHAFT, FRONT: TRANSFER CASE COVER TD3866V568 (78500)	A	EA	1	*	*	*	*	*	3	5	53	19
P-F	5310-209-0965	WASHER, LOCK: INPUT CAP TO COVER MS35338-47 (96906)	A	EA	16	*	*	*	*	*	6	10	53	20
P-F	5305-071-1788	SCREW, CAP, HEXAGON HEAD: INPUT CAP TO COVER MS90728-87 (96906)	A	EA	16	*	*	*	*	*	6	10	53	21
P-F	5330-291-1654	SEAL, PLAIN ENCASED: REAR BEARING COVER 100066R91 (31007)	A	EA	2	*	*	*	*	*	20	200	53	22
P-F	2520-563-5524	GASKET: FRONT AXLE OUTPUT SHAFT GEAR CASE (COMPONENT OF GASKET SET, FSN 2520-734-6775) 7375293 (78500)	A	EA	1	*	*	*	*	*	15		53	23
P-F	2520-927-9388	HOUSING, FRONT TRANSMISSION: COVER 8758324 (19207)	A	EA	1	*	*	*	*	*	3	5	53	24
X1		CASE: FRONT OUTPUT SHAFT TD3875D316 (81336)	A		1								53	25
P-F	2520-734-6756	CYLINDER ASSEMBLY, TRANSFER: DECLUTCH SHIFTER FORK 7346756 (19207)	A	EA	1	*	*	*	*	*	8	10	53	26
P-O	4730-014-3970	PLUG, PIPE: FRONT OUTPUT CASE FILLER 143970 (21450)	A	EA	1	*	*	*	*	*	6	10	53	27
P-F	5315-059-0184	PINK COTTER: SHAFT MS24665-361 (96906)	A	EA	1	*	*	*	*	*	6	10	54	1
P-F	5310-492-9631	NUT, SLOTTED, HEXAGON: SHAFT 5143813 (76040)	A	EA	1	*	*	*	*	*	6	10	54	2



AT 47193

Figure 53. *Tran case, covers and gaskets—rear view.*